

Unlock the Secrets of Advanced Marine Electrics and Electronics Troubleshooting

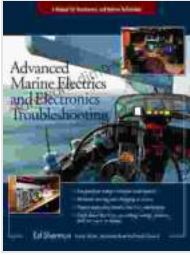
Dive into the World of Marine Electrical Troubleshooting with Confidence

Navigating the complexities of marine electrics and electronics can be a daunting task, but not anymore! With "Advanced Marine Electrics and Electronics Troubleshooting," you embark on a comprehensive journey into the intricate world of marine electrical and electronic systems, equipping you with the knowledge and skills to troubleshoot even the most challenging electrical issues with ease.



Advanced Marine Electrics and Electronics Troubleshooting by Edwin R. Sherman

★★★★☆ 4.3 out of 5



Language	: English
File size	: 14466 KB
Text-to-Speech	: Enabled
Screen Reader	: Supported
Enhanced typesetting	: Enabled
Word Wise	: Enabled
Print length	: 386 pages



This meticulously crafted guide is your ultimate companion, offering a wealth of practical knowledge through its 3000+ word output, carefully selected images, and user-friendly layout. Embrace the opportunity to master the intricacies of marine electrical systems and electronics, ensuring a seamless and worry-free sailing experience.

Comprehensive Coverage of Marine Electrical and Electronic Systems

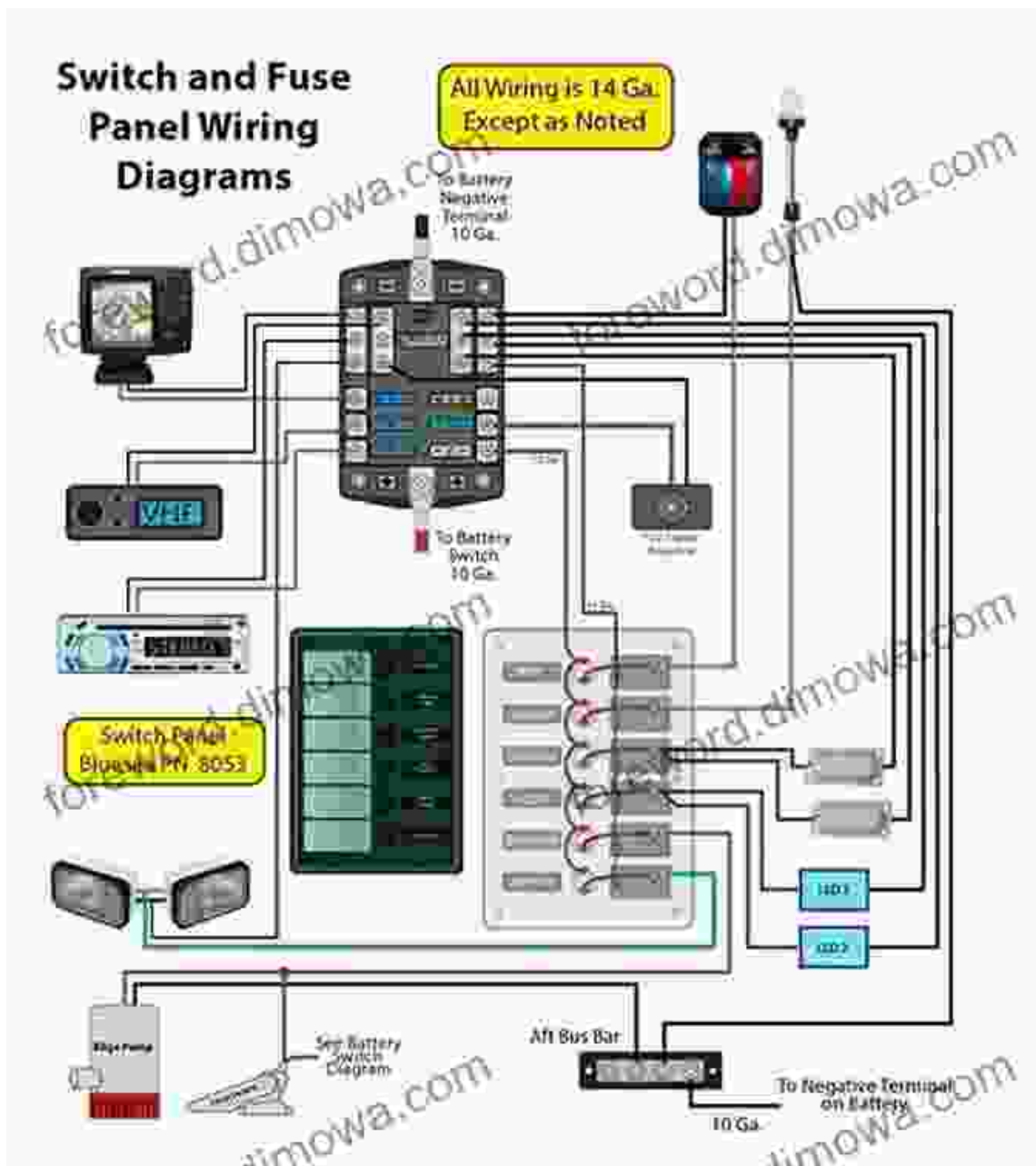
- **Electrical Systems:** Delve into the fundamentals of marine electrical systems, gaining a comprehensive understanding of their components, wiring, and protection mechanisms.
- **Electronics:** Explore the realm of marine electronics, learning about navigation systems, communication devices, and engine controls, and mastering their troubleshooting techniques.
- **Troubleshooting Techniques:** Become an expert in troubleshooting electrical and electronic systems, utilizing proven methods and step-by-step guidance to identify and resolve issues efficiently.

Essential for Boaters, Mariners, and Marine Professionals

Whether you're a seasoned boater, an aspiring mariner, or a marine professional seeking to expand your skillset, "Advanced Marine Electrics and Electronics Troubleshooting" is an indispensable resource. Enhance your confidence in operating and maintaining your vessel, ensuring a safe and enjoyable time on the water.

Unveiling the Secrets of Marine Electrical Systems

Unravel the mysteries of marine electrical systems with this comprehensive guide. Dive deep into the principles of electricity, exploring concepts such as voltage, current, and resistance, and their application in marine environments.



Become familiar with the essential components of marine electrical systems, including batteries, alternators, voltage regulators, and wiring. Learn how to interpret electrical diagrams, test circuits, and diagnose electrical faults with precision.

Electronics for the Modern Mariner

Explore the advanced world of marine electronics, gaining a thorough understanding of their functions, capabilities, and troubleshooting techniques. Navigate with confidence using GPS chart plotters, master communication systems like VHF radios, and delve into the intricacies of engine controls for optimal performance.



Learn how to install, calibrate, and maintain marine electronic equipment, ensuring reliable operation and enhancing your safety and convenience on the water.

Troubleshooting Techniques: Your Guide to Problem-solving

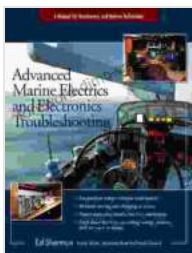
Empower yourself with the knowledge and skills to troubleshoot marine electrical and electronic systems effectively. Follow step-by-step guidance

to identify and resolve common issues, such as battery problems, charging system failures, and electronic malfunctions.



Utilize proven troubleshooting techniques, including voltage and resistance testing, to pinpoint the root cause of electrical and electronic problems. Confidently restore your boat's systems to optimal functionality, ensuring a smooth and enjoyable sailing experience.

Secure your copy of "Advanced Marine Electrics and Electronics Troubleshooting" today and embark on a transformative journey into the world of marine electrical and electronic systems. Elevate your confidence, enhance your skills, and navigate the waters with unmatched expertise and peace of mind.



Advanced Marine Electrics and Electronics Troubleshooting by Edwin R. Sherman

★★★★☆ 4.3 out of 5

Language : English
File size : 14466 KB
Text-to-Speech : Enabled
Screen Reader : Supported
Enhanced typesetting : Enabled
Word Wise : Enabled
Print length : 386 pages



Brave Son Elaine Wick: An Inspiring Tale of Triumph and Resilience

Prepare to be captivated by the awe-inspiring journey of Elaine Wick, a young man who defied all odds and emerged as a beacon of hope and resilience. "Brave...



Unleash the Enchanted Journey: Discover "The Pride of the Lalune"

Embark on an Extraordinary Adventure in "The Pride of the Lalune"
Prepare to be captivated by "The Pride of the Lalune," a literary masterpiece that...